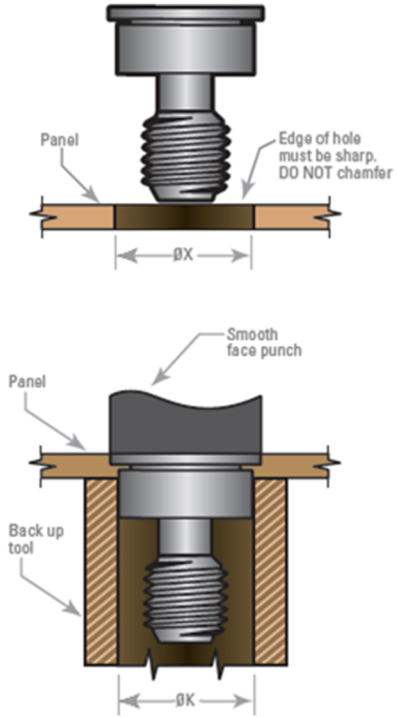


MF SERIES INSTALLATION

Installation



For installations in most aluminums or low carbon steels that are ¼ hard or softer

THREAD SIZE	INSTALLATION DATA							
	Ø X +0.02/-0.00 (+0.003/-0.000)	M	F		P1		P2	Ø K +0.1/-0.05 (+0.004/-0.002)
			SLOTTED DRIVE	OTHER DRIVES	SLOTTED DRIVE	OTHER DRIVES		
4-40 & M3	6.5 (.256)	1.3 (.050)	1.8 (.070)	2.4 (.095)	3.8 (.15)	3.8 (.15)	4.1 (.16)	6.6 (.260)
							5.1 (.20)	
							6.1 (.24)	
							7.1 (.28)	
6-32	7.5 (.295)	1.4 (.055)	2.2 (.085)	2.7 (.105)	3.8 (.15)	3.8 (.15)	4.3 (.17)	7.6 (.299)
							6.4 (.25)	
							7.4 (.29)	
8-32 & M4	9.5 (.375)	1.5 (.060)	2.4 (.095)	3.2 (.125)	5.1 (.20)	4.3 (.17)	5.6 (.22)	9.6 (.379)
							6.6 (.26)	
							7.6 (.30)	
							8.6 (.34)	